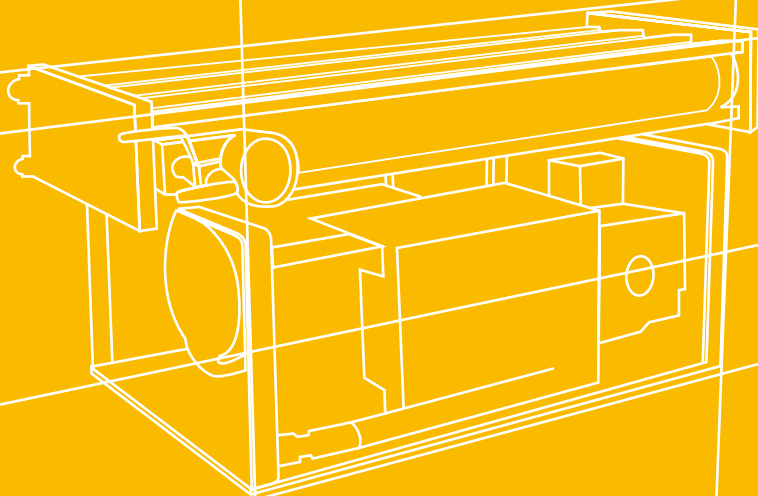




**Simply
fresh water**



From 15 to 300 litres per hour

Aqua-Base® reliability and service

SLCE presents Aqua-Base®, a range of watermakers designed especially for the world of pleasure-boating.

Aqua-Base® design and quality guarantees comfort, ease of use and exceptional durability.

Aqua-Base® simplicity

- Watermakers supplied either in a frame or in kit form for fitting into any configuration
- Complete **fitting kit**
- **Extremely simple** to operate and install
- **Easy to operate** control panel
- **Simplified maintenance**
- **World-wide technical assistance** and after-sales service network

Aqua-Base® reliability

- Uncompromising and exacting **design standards**
- Secure and guaranteed **performance**
- Top quality **materials** and **components** (high pressure CAT pump, frame made of stainless steel...)
- Exclusive device for continuous checking of **salinity** with automatic rejection (except ETB)

The command of two desalination technologies

- **Conventional** Aqua-Base® high-pressure pump solutions
- Aqua-Base® **low energy consumption solutions**: patented pressure amplifying and energy recovery device

SLCE gives you the benefit of its recognised experience in reverse osmosis desalination.

Eco-Twin® Energy Recovery

In the technology of energy recovery, the high-pressure pump is replaced by a system of hydraulic amplification fed by a unique low-pressure pump.

The Eco-Twin® range is fully based on this concept, developed, tested and patented by SLCE.

Eco-Twin® advantages

- **Very low electricity consumption**
- **No adjustments necessary** (operates entirely automatically)
- **Incredibly silent and vibration-free operation** (no high pressure pump)
- **Easier installation** (connections are made using low pressure tubing and the machine can be fitted in any position)
- **Simplified maintenance** (no need to change high pressure pump oil)

AQUA-BASE[®] watermakers

The Aqua-Base[®] ranges have been designed to meet your need for fresh water, whatever the configuration of your vessel, with the same concern for reliability and ease of use.

Aqua-Base[®]X

from 30
to 90 l/h

Yachting

Watermakers designed for small boats where energy and space are limited.

- Battery power or generator
- Low pressure seawater feed pump
- High pressure CAT pump
- High rejection rate membranes
- 5 micron filter
- High pressure safety switch
- Pressure regulation valve
- High pressure gauge
- Salinometer and automatic waste valve



Options

- Remote control
- Automatic flushing
- Separation kit

Aqua-Base[®]Y

from 60
to 300 l/h

Yacht
Professional
charter boat

Heavy-duty design watermakers recommended for intensive users.

- Tri-phase or single phase electricity feed
- Low pressure seawater feed pump
- High pressure CAT pump
- High rejection rate membranes
- 5 & 20 micron filters
- High and low pressure safety switches
- Pressure regulation valve
- High and low pressure gauge
- Salinometer and automatic waste valve
- Hour meter
- Flow meter



Options

- Remote control
- Automatic flushing
- Sand filter

Aqua-Base[®]Eco-Twin[®]

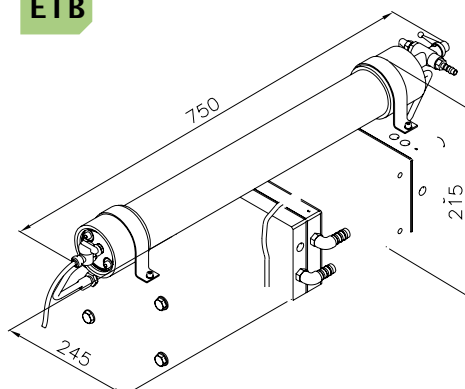
from 15
to 60 l/h

Low energy
consumption

Watermakers designed for boats where availability of energy is very limited. Entirely auto

ETB

Eco-Twin[®] basic version



ETB: Eco-Twin[®] basic version

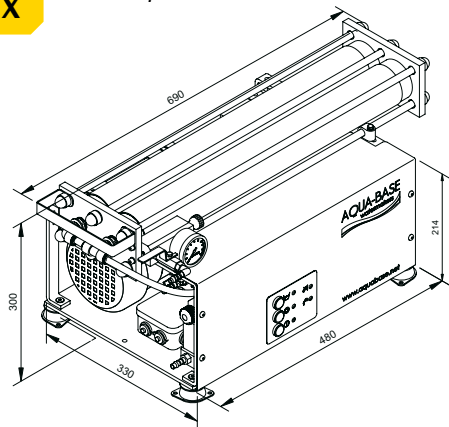
- Battery powered
- Low pressure sea water feed pump
- Pressure booster
- High rejection rate membrane
- 5 and 20 micron filters
- Pressure gauges and pressure safety devices

All Aqua-Base® watermakers are delivered with an installation kit consisting of detailed manuals and a complete set of connection and fixing accessories (screws, couplings, tubes....).



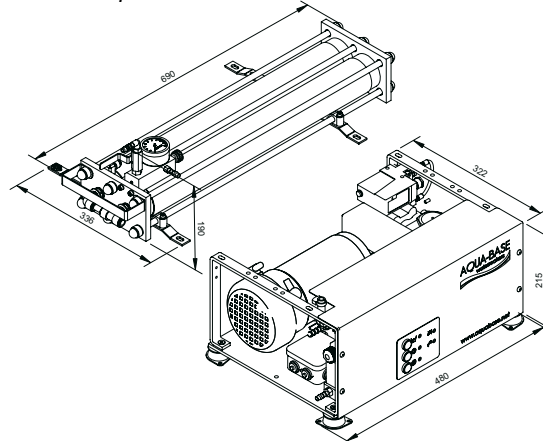
X

X in a frame



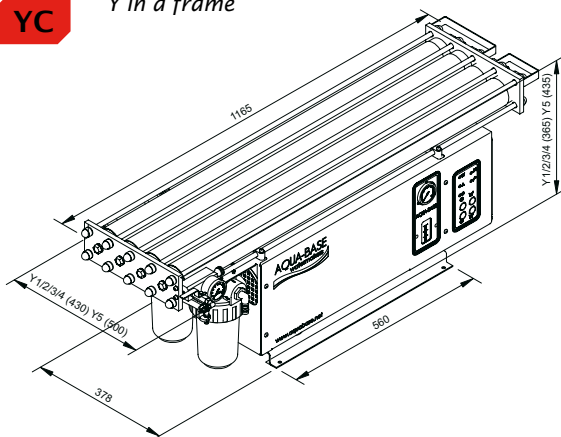
X

X with separation kit



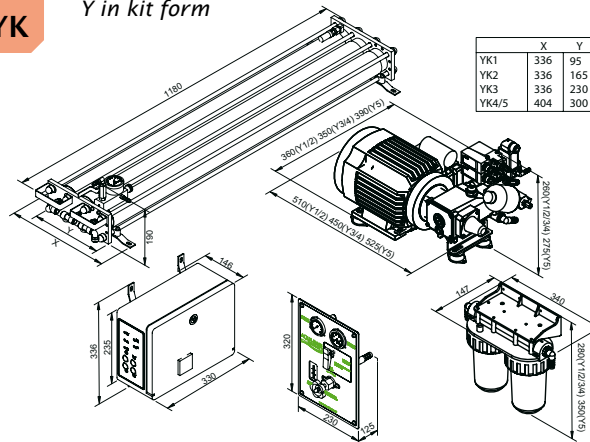
YC

Y in a frame



YK

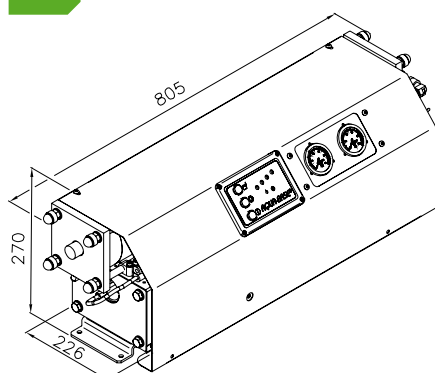
Y in kit form



Automatic operation, simple and silent.

ETW

Eco-Twin® automatic version



ETW: Eco-Twin® automatic version

- Battery powered
- Low pressure sea water feed pump
- Pressure booster
- High rejection rate membrane
- 5 and 20 micron filters
- Pressure gauges and pressure safety devices
- Salinometer and automatic waste valve
- Automatic flushing

Options

- Remote control

Aqua-Base® watermakers

Range	Voltage			Electricity consumption	Weight	Model
	Battery	Single phase	Tri-phase			
15 litres per hour						
-			-			
30 litres per hour						
X	12 V	-	-	31 A	34 kg	XD121
X	24 V	-	-	25 A	36 kg	XD241
X	-	230 or 115 V	-	1 kW	38 kg	XA221
-			-			
-			-			
-			-			
-			-			
50 litres per hour						
X	12 V	-	-	31 A	40 kg	XD122
60 litres per hour						
X	24 V	-	-	25 A	42 kg	XD242
X	-	230 or 115 V	-	1 kW	44 kg	XA222
YC	-	230 or 115 V	400 or 220 V	1,5 kW	61 kg	YC1
YK	-	230 or 115 V	400 or 220 V	1,5 kW	52 kg	YK1
-			-	29 A	66 kg	ETW601
-			-			
-			-			
-			-			
90 litres per hour						
X	-	230 or 115 V	-	1 kW	50 kg	XA223
120 litres per hour						
YC	-	230 or 115 V	400 or 220 V	1,5 kW	69 kg	YC2
YK	-	230 or 115 V	400 or 220 V	1,5 kW	60 kg	YK2
180 litres per hour						
YC	-	230 or 115 V	400 or 220 V	2 kW	77 kg	YC3
YK	-	230 or 115 V	400 or 220 V	2 kW	68 kg	YK3
240 litres per hour						
YC	-	230 or 115 V	400 or 220 V	2 kW	85 kg	YC4
YK	-	230 or 115 V	400 or 220 V	2 kW	76 kg	YK4
300 litres per hour						
YC	-	230 V	400 or 220 V	3 kW	95 kg	YC5
YK	-	230 V	400 or 220 V	3 kW	86 kg	YK5

Rated Performances +/- 10% using standard seawater, with 35 g/l salinity and temperature at 25 °C.
Other voltages on request.

Options available

Remote Control

Integrates the operating and checking functions of the machine.

Automatic Flushing

Flushes the membranes every time the machine stops.

Sand Filter

Improves the primary filtration of the water and prolongs filter life.

* Available end of 2008

AQUA-BASE®

watermakers

Zone Industrielle de Keryado
38 rue du Gaillec
BP 2837
56312 Lorient
France



tel.

fax

e-mail

internet



Your contact



AQUABASE® is a trademark of SLCE